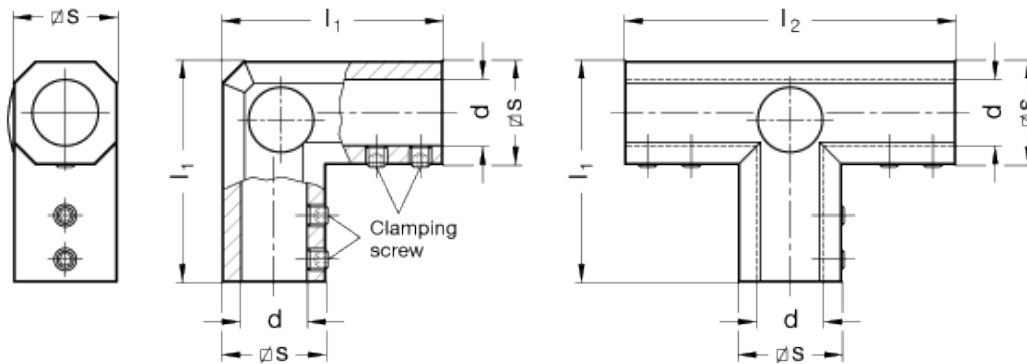


GN 298

T-shaped and angular connectors



technical informations

Material

Aluminium gravity die-cast.

Clamping screw

Stainless Steel.

Finish

RAL 9005 black, matte finish, epoxy resin coating.

Types

- Type W for angular gears.
- Type T for T-gears.

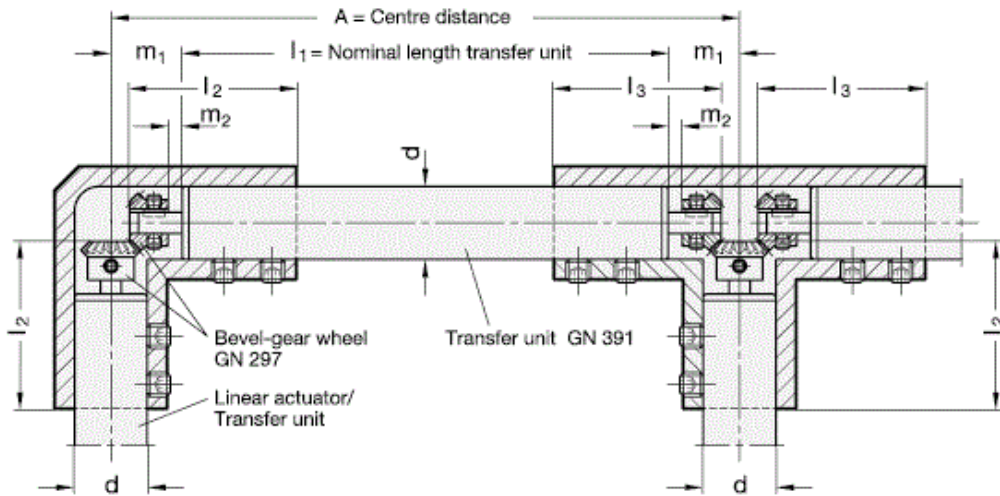
Features and applications

Housings GN 298 for angular gears / T-gears are used in connection with bevel-gear wheels GN 297 and linear actuators / transfer units: the angular gears / T-gears are designed to deflect the rotary movement of a linear actuator / transfer unit by 90°.

Accessories

- Bevel gear wheels GN 297
- Drive units GN 391
- Transfer units GN 391
- Linear actuators GN 291
- Linear actuators GN 292
- Linear actuators GN 293

Assembly of linear actuators and transfer units with bevel gear wheels in housings GN 298



d	l_2	l_3	m_1	m_2	Bevel gear wheel	Housing
18	42	41	20	4	GN 297-17,5-K6	GN 298-28-B18-W/T-SW
30	58	57	25	1	GN 297-26-K8	GN 298-40-B30-W/T-SW
40	74	72	32	1	GN 297-35-K12	GN 298-50-B40-W/T-SW
50	90	82	32	1	GN 297-35-K12	GN 298-60-B50-W/T-SW

Length of the transfer unit GN 391:
 $l_1 = A - 2 \times m_1$

Standard Elements		Main dimensions			Weight
Description	s	d	l_1	l_2	g
GN 298-28-B18-W-SW	28	B 18	60	90	107
GN 298-40-B30-W-SW	40	B 30	84	126	219
GN 298-50-B40-W-SW	50	B 40	108	162	434
GN 298-60-B50-W-SW	60	B 50	128	190	692
GN 298-28-B18-T-SW	28	B 18	60	90	139
GN 298-40-B30-T-SW	40	B 30	84	126	280
GN 298-50-B40-T-SW	50	B 40	108	162	542
GN 298-60-B50-T-SW	60	B 50	128	190	851

